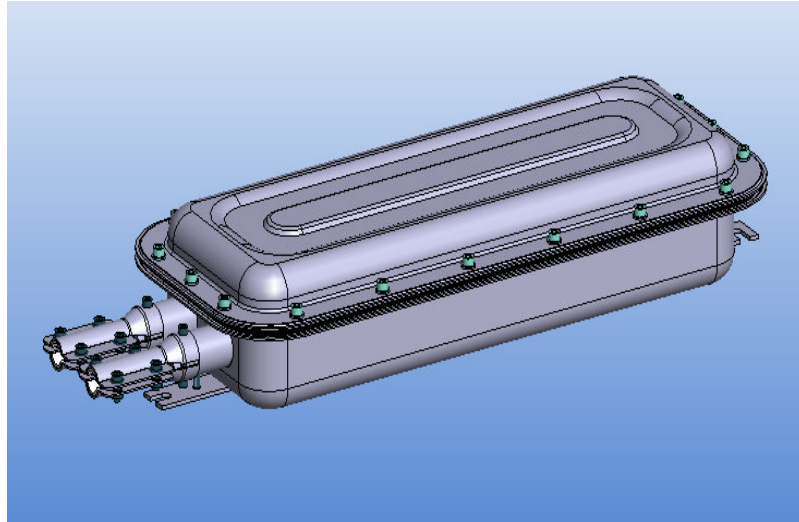


## Metallic Joint Closure VXOK 1030SO-G units

for OPGW with Aluminum Tube and for optical cables with central tube construction

**Prysmian Part Number:** See the page no. 3



The Joint closure kit VXOK 1030SO-G- Gland Joint with cable glands is designed to be used for jointing optical ground wires (OPGW) with Aluminium tube construction and /or optical cables with central tube construction. The units include all the necessary parts for jointing the cables.

### Features and Benefits

- Metallic closure units for OPGW with Aluminium tube construction and/or optical cables with central tube construction.
- Acid proof stainless steel housing for harsh and corrosive environments without any additional protection.
- High crush and impact resistance.
- Maximum capacity up to 192 splices.
- Gland type cable entry port seals provide excellent water tightness and high cable pull out strength.
- Non craft sensitive and reliable.
- Water tight seal to IP68.

### Unit Contents

#### Basic configuration:

Closure  
Installation plate  
Closure Seal  
Earthing and fixing materials

#### According to unit capacity:

Splice Trays  
Splice Protectors  
Cable entry port materials

#### Additional Items

Splice Trays  
Splice Protectors  
Gasket  
Extension Collars / Cover  
Pole Mount

## Technical Data

- Dimensions (excl. inlet tubes) 560x230x100 mm (L x W x H)
- Inner diameter cable entry ports Cable diameter max 21 mm; cable core diameter max 10,5 mm
- Number of entry ports 2
- Weight about 10 kg
- Material Closure: Acid proof stainless steel (AISI 316) 1.5 mm  
Closure seal: Chloroprene rubber
- Splice tray capacity 4 trays XOKP 1024/48 with max capacity of 48 splices/tray
- Temperature variation IEC 60068-2-14; 2 cycles -30°C to +80°C:  $\Delta\alpha < 0.1$  dB@1550 nm
- Damp heat IEC 60068-2-14; + 60°C, RV 93%, 16 h:  $\Delta\alpha < 0.1$  dB@1550 nm
- Climatic withstand test IEC 60068-2-14; heat +85°C; RV 93%;16 h:  $\Delta\alpha < 0.1$  dB@1550 nm  
IEC 60068-2-14; cold -30°C; 16 h:  $\Delta\alpha < 0.1$  dB@1550 nm
- Corrosion test A sulphur dioxide EN ISO 7384, ISO 3231; +40°C; RV saturated; SO<sub>2</sub> 0,067% by volume; 3x 120 h
- Corrosion test B salty mist IEC 60068-2-52; +35°C; 1000 h
- Temperature range:
  - Transport and storage -40°C to +50°C
  - Installation -10°C to +50°C
  - Operation -45°C to +80°C
- Fibre bending radius (mm) minimum 30 mm
- Cable retention IEC 60794-1-E1: 1000 N
- Water immersion IP68 (No water ingress at 1 meter water pressure for 7 days)
- Impact resistance IEC 60794-1-E4: 30 Nm @ 20 °C, radius 300 mm
- Crush resistance 1000 N @ 20 °C on top surface of the box
- Torsion resistance IEC 60794-1-E7: 1000 mm length,  $\pm 180^\circ$ :  $\Delta\alpha < 0.1$  dB@1550 nm
- Drop Drop height 5 meters on concrete:  $\Delta\alpha < 0.1$  dB@1550 nm
- Application area Group 1&2 in accordance with EN 124, 30 cm below surface level

## Ordering codes and unit contents

### **Prysmian Part No. XJTSC01702    VXOK 1030SO-G-48 Gland Joint LC**

For max 48 fibres:

Joint closure XOK 1030SO-G	1 pce
Splice tray XOKP 1024/48	2 pces
Spiral Space® installation kit VSPA-U	1 pces
Fibre protection sleeve FT 290	48 pces
Pole mount VXOKO 1133	1 pce
Central Element Clamp XOKO 1021	1 pce

### **Prysmian Part No. XJTSC01819    VXOK 1030SO-G-72 Gland Joint LC**

For max 72 fibres:

Joint closure XOK 1030SO-G	1 pce
Splice tray XOKP 1024/48	3 pces
Spiral Space® installation kit VSPA-U	1 pces
Fibre protection sleeve FT 290	72 pces
Pole mount VXOKO 1133	1 pce
Central Element Clamp XOKO 1021	1 pce

### **Prysmian Part No. XJTSC01703    VXOK 1030SO-G-96 Gland Joint LC**

For max 96 fibres:

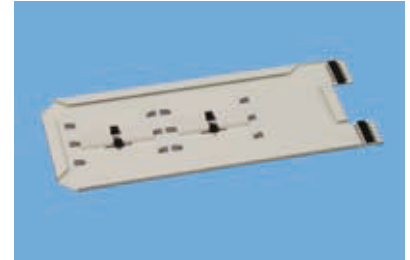
Joint closure XOK 1030SO-G	1 pce
Splice tray XOKP 1024/48	4 pces
Spiral Space® installation kit VSPA-U	1 pces
Fibre protection sleeve FT 290	96 pces
Pole mount VXOKO 1133	1 pce
Central Element Clamp XOKO 1021	1 pce

## Additional Items

### Splice tray XOKP 1024/48

Splice tray for 48 heat shrink splice protectors covered by transparent acrylate cover. Splice tray is powder coated steel and splice holders silicone rubber. Dimensions are 385 x 157 x 10 mm (l x w x d)

**Prysmian Part No. XJTSC00870** XOKP 1024/48 Splice tray



### Splice protector FT 290

Heat shrink splice protector for single fibre with dimensions 61 mm x 2.6 mm (diameter). Splice protectors are packaged in 100 pcs packs.

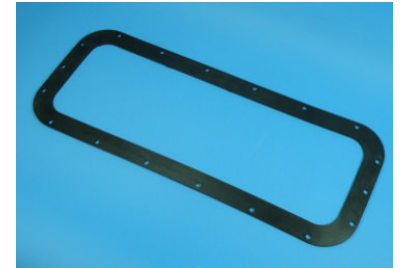
**Prysmian Part No. XKTSC00540** FT 290 Fibre protection sleeve 61 mm



### Rubber gasket

Rubber gasket when original gasket has to be changed.

**Prysmian Part No. XJTSC00863** XOKO 1002 Rubber gasket



### Pole mounts for towers

Used for mounting the closure to a metallic tower in a power line.

**Prysmian Part No. XJTSC00866** VXOKO 1133 Pole mount (for towers)



### VSPA-U OPGW supplementary kit

Supplementary kit for protecting optical fibres in the joints of OPGW (Optical Ground Wire) with Aluminium tube, Spiral Space core or steel tube constructions. Kit con

**Prysmian Part No. XJTSC008675** VSPA-U kit for Spiral space OPGW



Please contact your local sales office listed on [www.prysmiangroup.com](http://www.prysmiangroup.com)

© Prysmian Group 2014, All Rights Reserved.

The information contained within this document must not be copied, reprinted or reproduced in any form, either wholly or in part, without the written consent of Prysmian Group. The information is believed correct at the time of issue. Prysmian Group reserves the right to amend this specification without notice. This specification is not contractually valid unless specifically authorised by Prysmian Group.