

Hydraulic Accessories

ISOLATION COUPLINGS, MUFFLERS, RUPTURE VALVES AND CUSHION CLAMPS

Isolation couplings by EECO

Part Number	Description	Size
2060A-1	Grooved to grooved coupling	2 in.
2060A-2	Grooved to National Pipe Thread (NPT) coupling	2 in.
2060A-3	NPT to NPT coupling	2 in.
2070A-1	Grooved to grooved coupling	2-1/2 in.
2070A-2	Grooved to NPT coupling	2-1/2 in.
2070A-3	NPT to NPT coupling	2-1/2 in.
2080A-1	Grooved to grooved coupling	3 in.
2080A-2	Grooved to NPT coupling	3 in.
2080A-3	NPT to NPT coupling	3 in.



Mufflers by EECO

Part Number	Description	Size/Throughput
MU-2000-1	Muffler, 2 in. GRV to 2 in. GRV	6-5/8 in. OD, 11-3/4 in. long / 185 GPM max.
MU-2000-2	Muffler, 2 in. GRV to 2 in. NPT	6-5/8 in. OD, 11-3/4 in. long / 185 GPM max.
MU-2000-4	Muffler, 2 in. NPT to 2 in. NPT	6-5/8 in. OD, 11-3/4 in. long / 185 GPM max.
MU-2500-1	Muffler, 2-1/2 in. GRV to 2-1/2 in. GRV	8-5/8 in. OD, 11-3/4 in. long / 260 GPM max.
MU-2500-2	Muffler, 2-1/2 in. GRV to 2-1/2 in. NPT	8-5/8 in. OD, 11-3/4 in. long / 260 GPM max.
MU-2500-4	Muffler, 2-1/2 in. NPT to 2-1/2 in. NPT	8-5/8 in. OD, 11-3/4 in. long / 260 GPM max.
MU-2500-5	Muffler, 2-1/2 in. NPT to 3 in. GRV	8-5/8 in. OD, 11-3/4 in. long / 260 GPM max.
MU-2500-6	Muffler, 2-1/2 in. GRV to 3 in. GRV	8-5/8 in. OD, 11-3/4 in. long / 260 GPM max.
MU-3000-1	Muffler, 3 in. GRV to 3 in. GRV	8-5/8 in. OD, 11-3/4 in. long / 350 GPM max.
MU-3000-2	Muffler, 3 in. GRV to 3 in. NPT	8-5/8 in. OD, 11-3/4 in. long / 350 GPM max.
MU-3000-3	Muffler, 3 in. NPT to 3 in. NPT	8-5/8 in. OD, 11-3/4 in. long / 350 GPM max.



Rupture valves

Part Number	Description	Flow Rate/Max. Pressure
PRV-2-NPT	Pipe rupture valve, 2 in. - NPT	111 to 208 GPM / 1200 PSI
PRV-2-GRV	Pipe rupture valve, 2 in. - Grooved	111 to 208 GPM / 1200 PSI
PRV-25-NPT	Pipe rupture valve, 2-1/2 in. - NPT	209 to 318 GPM / 1000 PSI
PRV-25-GRV	Pipe rupture valve, 2-1/2 in. - Grooved	209 to 318 GPM / 1000 PSI
PRV-3-NPT	Pipe rupture valve, 3 in. - NPT	319 to 546 GPM / 800 PSI
PRV-3-GRV	Pipe rupture valve, 3 in. - Grooved	319 to 546 GPM / 800 PSI



Cushion clamps for hydraulic pipe

Part Number	Description	Pipe Trade Size
FS-1400P-200	Cushion clamp	2
FS-1400P-250	Cushion clamp	2-1/2
FS-1400P-300	Cushion clamp	3
FS-1400P-400	Cushion clamp	4



Hydraulic Accessories

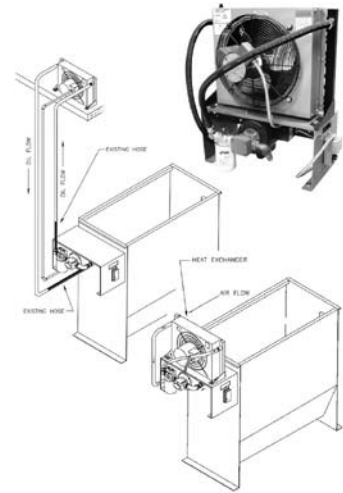
OIL COOLER, SILENCERS, PRESSURE SENSORS AND PIPE STANDS

Oil cooler by Minnesota Elevator - components CSA certified

Part Number	Description
MEI-10248	Oil cooler, with filter

The MEI Oil Cooler reduces the oil temperature by nearly 40° F • 22° C, (depending on site conditions). The cooler also filters the oil which results in smoother stops and starts, improved levelling and extended component life. The oil cooler can be mounted directly or remotely.

Remote installations should not exceed 110 ft • 33.5 m horizontal or 55 ft • 17.5 m vertical from tank.



Silencer by Minnesota Elevator

Part Number	Description
MEI-19317	Silencer, 220 max. GPM, fits 2 x 2 in. grooved coupling 13-1/4 L x 4-5/8 in. O.D., 28 lbs., rated to 1000 PSI
MEI-19319	Silencer, 360 max. GPM, fits 2-1/2 x 3 in. grooved coupling, 13-1/4 L x 4-5/8 in. O.D., 28 lbs., rated to 1000 PSI

The MEI Silencer uses a bladder system with air pressure to reduce excessive noise that may be generated by a hydraulic system.



Hydraulic pressure sensor by Micelect - cCSAus certified



Part Number	Description
LW-SPB-M-NPT-STD	Hydraulic pressure sensor, with 2 relay outputs, includes 1/4 in. NPT female fitting, automatic calibration - no test weights required, 24 - 48VAC, 2 relays, 250V@3A
LW-SPB-M-NPT-020	Hydraulic pressure sensor, like above but with 0-20 mA analog output

The Micelect LW-SPB hydraulic pressure sensors mount to the hydraulic power unit. Pressure measurements are converted into outputs. Actual pressure can be displayed as well. The sensor automatically calibrates - no test weights are required.

Roller guides are required at least on top or on bottom of cab.

The LW-SPB sensors can use the cab displays shown on the bottom of page 65.



Pipe stands - adjustable to 22" height

Part Number	Description	Pipe Trade Size
PIPE22-15	Pipe stand	1-1/2
PIPE22-2	Pipe stand	2
PIPE22-25	Pipe stand	2-1/2
PIPE22-3	Pipe stand	3



Hydraulic Accessories

PULLY BULLY AND SUBMERSIBLE POWER UNIT

Pully Bully

Part Number	Description
MEI-17936	Pully Bully, submersible pump/motor puller with drip pan/workbench and dolly

Draka Elevator offers the MEI Pully Bully, a safe and economical method that saves you time and frustration when servicing submersible pumps/motors.

The Pully Bully rolls easily into the machine room. The hoisting frame detaches from the cart which serves as a workbench/drip pan that collects the excess oil.

Use the chain hoist to rig and pull the pump/motor out of the power unit, then set the pump/motor on the cart/drip pan and make the necessary repairs. It is lightweight, yet complies with ASME B30.17 - 1998.

Pully Bully in use



Pully Bully folded for storage



Submersible power unit

Minnesota Elevator submersible hydraulic power units are available with several options such as silencer, tank heater, low pressure switch and more. These units are competitively priced, quiet, compact and available with very short lead times.

