

Flat Cable Suspension Devices

FOR UNSUPPORTED FLAT CABLES - NYLON/PLASTIC CONSTRUCTION

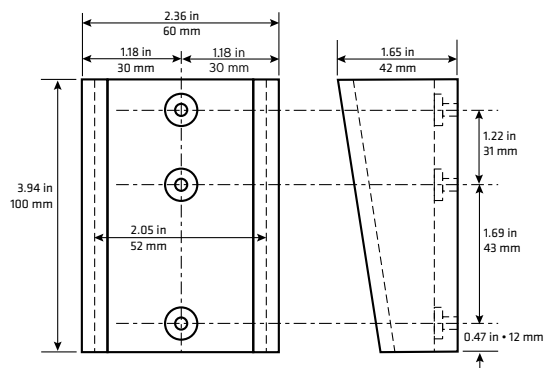
Two cable version

Part Number	Description
FCSD-2	Flat cable suspension device for up to 2 cables, max 2 in • 52 mm wide Mounting holes are .20 in. • 5 mm with .55 in. • 14 mm counterbore

The FCSD-2 is made of a durable nylon/plastic. It consists of a bracket that attaches to the hoistway wall or the car, and a clamping wedge that secures the cable in the bracket.

The FCSD-2 is designed to hold up to two cables totaling a maximum thickness of 0.47 in. • 12 mm and maximum width of 2 inches • 52 mm. If multiple cables are being supported, the narrowest width cable must not be less than 70% of the width of the widest cable.

Order two devices per cable, one for the car and one for the hoistway.



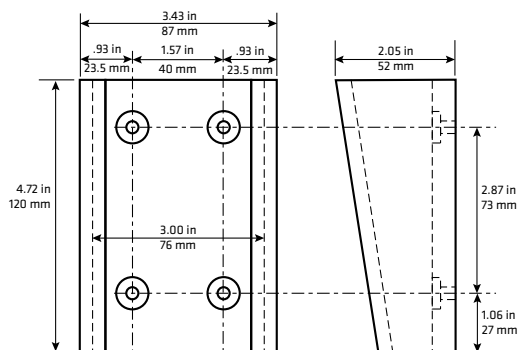
Three cable version

Part Number	Description
FCSD-3	Flat cable suspension device for up to 3 cables, max 3 in • 76 mm wide Mounting holes are .25 in. • 6.35 mm with .55 in. • 14 mm counterbore

The FCSD-3 is made of a durable nylon/plastic. It consists of a bracket that attaches to the hoistway wall or the car, and a clamping wedge that secures the cable in the bracket.

The FCSD-3 is designed to hold up to three cables totaling a maximum thickness of 0.59 in. • 15 mm and maximum width of 3 in. • 76 mm. If multiple cables are being supported, the narrowest width cable must not be less than 70% of the width of the widest cable.

Order two devices per cable, one for the car and one for the hoistway.



Flat Cable Suspension Devices

FOR UNSUPPORTED AND STEEL-SUPPORTED FLAT CABLES - STEEL CONSTRUCTION

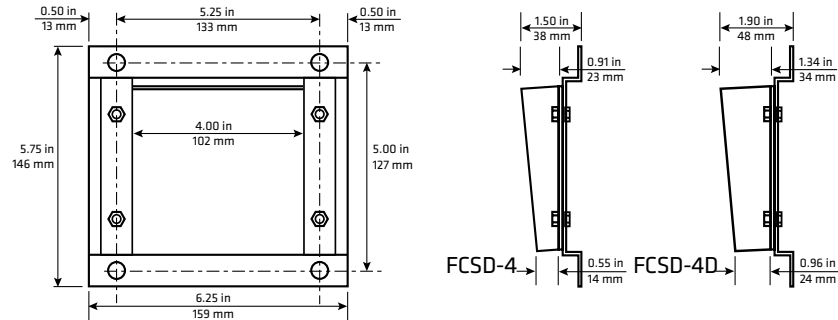
Unsupported version

Part Number	Description
FCSD-4	Flat cable suspension device for up to 3 cables, max 4 in • 101 mm wide Mounting holes are .25 in. • 6.35 mm
FCSD-4D	Flat cable suspension device for up to 5 cables, max 4 in • 101 mm wide Mounting holes are .25 in. • 6.35 mm

The FCSD-4 and FCSD-4D are formed of sheet steel with an aluminum clamping wedge. The bracket attaches to the hoistway wall or the car, and the clamping wedge secures the cable in the bracket.

The FCSD-4 is designed to hold up to three cables totaling a maximum thickness of 14 mm and a maximum width of 4 in. • 101 mm. The FCSD-4D is designed to hold up to five cables totaling a maximum thickness of 0.96 in. • 24.4 mm and a maximum width of 4 in. • 101 mm. Maximum loads are 500 lbs • 227 kg. If multiple cables are being supported, the narrowest width cable must not be less than 70% of the width of the widest cable.

Order two devices per cable, one for the car and one for the hoistway.



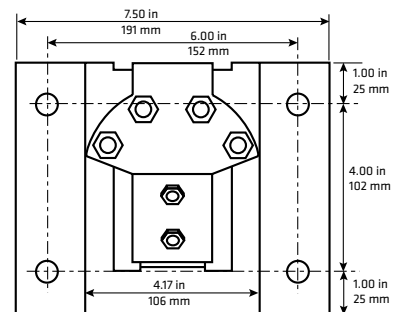
Steel supported version

Part Number	Description
FCSD-S	Flat cable suspension device for up to 3 cables, max 3 in • 76 mm wide Mounting holes are .25 in. • 6.35 mm with .55 in. • 14 mm counterbore

The FCSD-S is formed of sheet steel. It attaches to the hoistway wall or the car. The steel support cable is carried by the four 3/8 in. • 9.5 mm carbon-steel support studs, and held in place by the front bracket.

The FCSD-S is designed to hold up to three cables totaling a maximum thickness of 5/8 in. • 16 mm. Maximum supported weight is 1500 lbs • 681 kg.

Order two devices per cable, one for the car and one for the hoistway



Use a swaging tool to attach cables to the FCSD-5. See page 94 for details.

