



Oil & Gas - Cable Solutions

Refineries & Petrochemical - Onshore

Medium Voltage Cables

IEC 60502-2

Cu/XLPE/CWS or **CTS/PVC** or **LSZH**

Cu/XLPE/CWS or **CTS/PVC** or **LSZH/AWA** or **SWA/PVC** or **LSZH**

3,6/6 kV 18/30 kV

Distribution cables from 3,6/6 up to 18/30 kV. Flame retardant, low smoke and halogen free (only LSZH version). Armoured/unarmoured.

Design option with insect repellent/rodent protection; Arctic Grade design option; Fire Resistant version: all available on demand.

APPLICATION

Medium Voltage cables are used for power distribution applications or to connect equipment that requires large amounts of power in refineries, pipelines and other midstream and downstream facilities.

STANDARDS & APPROVALS

IEC 60502-2 Design guidelines

IEC 60332-1-2 Flame retardance

IEC-60332-3-22 or 24 Fire retardance

on request

IEC-60754-1 /...-2 Halogen free properties

IEC-61034-1 / 2 Smoke emission properties

on request

CSA 22.2 n. 38/95 or IEC 60811

Cold bend/impact test at low temperature

on request

IEC 60331-21 Fire Resistance

DESIGN & CONSTRUCTION

1 CONDUCTOR

Cu

Annealed copper conductor according to IEC 60228 cl. 2 from 16 to 630 mm², single core or three cores

2 CONDUCTOR SCREEN

Semiconducting layer

3 INSULATION

XLPE

HEPR or EPR on demand

4 INSULATION SCREEN

Semiconducting layer

5 SCREEN

CWS or CTS

Copper wires or copper tapes

6 BEDDING/INNER COVERING

(only armoured versions)

PVC or LSZH

7 ARMOURING

(only armoured versions)

SWA or AWA

Steel Wire Armour/Aluminium Wire

Armour for single core (Double Steel Tape

available on demand, aluminium for single core)

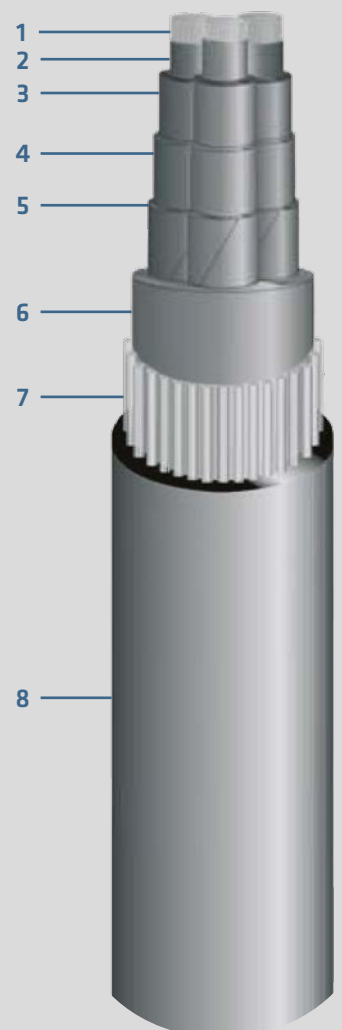
AIR-BAG® mechanical protection option

available on demand

8 OUTER SHEATH

PVC or LSZH

Hydrocarbon resistant option available on demand



CONTACT INFO:

prysmianoilandgas@prysmiangroup.com

www.prysmiangroup.com/contact-us



Oil & Gas - Cable Solutions

Refineries & Petrochemical - Onshore

Medium Voltage Cables

IEC 60502-2

PERFORMANCES/RATINGS

FIRE BEHAVIOUR



IEC 60332-1-2
IEC 60332-3-22 or 24
IEC 60331-21 (only FR version)

CHEMICAL RESISTANCE



STANDARD (PVC)
GOOD (LSZH)

IMPACTS



GOOD

SMOKE DENSITY, CORROSIVITY AND TOXICITY



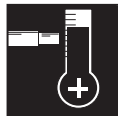
LOW EMISSION
(only LSZH version)

MIN. INSTALLATION TEMPERATURE



-5 °C (PVC)
-15 °C (LSZH)
(-40°C for Arctic Grade)

MAX OPERATING TEMPERATURE



+90 °C

SHORT CIRCUIT TEMPERATURE



+250 °C

QUALITY & TESTING

Prysmian has a built-in multi-step quality assurance program, covering the production process from cable design and raw material purchases to final inspection and testing documentation.

The ISO 9001 quality system of Prysmian Group (together with ISO 14001 and OHSAS 18001) has been assessed, approved and is currently audited by SGS.

This product information sheet is provided for reference only.

Please consult the factory or your representative to confirm all engineering information or refer to the related catalogues available in the local countries website.

CONTACT INFO:
prysmianoilandgas@prysmiangroup.com
www.prysmiangroup.com/contact-us

Prysmian
Group