



## Pipelines & LNG - Onshore

# Low Voltage & Control Cables

IEC 60502-1 / IEC 60331

**Cu/MGT/XLPE/LSZH/LS/LSZH 0,6/1 kV**

**Cu/MGT/XLPE/LSZH/LS/LSZH/SWA/LSZH 0,6/1 kV**

Power cables 0,6/1 kV with Chemical Barrier. Flame retardant, low smoke, halogen free, fire resistant. Armoured. Design option with insect repellent/rodent protection; Arctic Grade design option: all available on demand.

### APPLICATION

Low Voltage & Control cables used for underground fixed installations of power supply and control applications. Prysmian offers a wide range of LV & Control cables with diverse design options depending on the reference standards and customer requirements.

### STANDARDS & APPROVALS

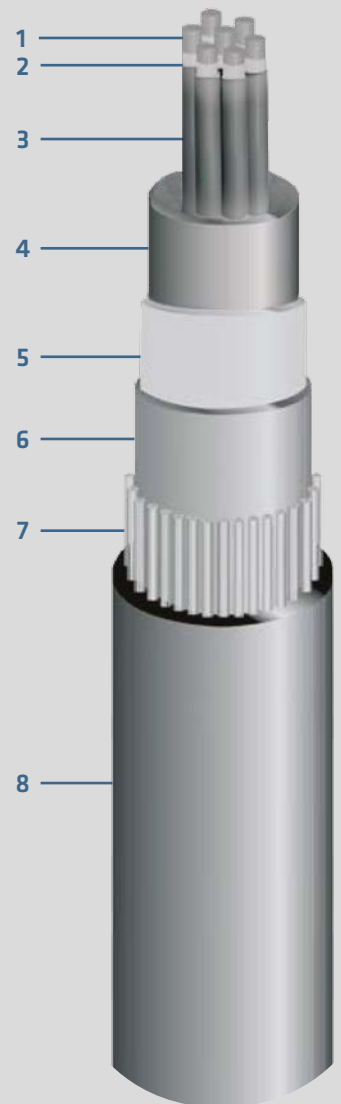
- IEC 60502-1** Design guidelines
- IEC 60332-1-2** Flame retardance
- IEC-60332-3-22 or 24** Fire retardance
- IEC 60331-21/60331-1/2 plus EN 50200 annex E/ BS 6387 CWZ** Fire Resistance
- IEC-60754-1 /...-2** Halogen free properties
- IEC-61034-1 / 2** Smoke emission properties

on request

- CSA 22.2 n. 38/95 or IEC 60811**
- Cold bend/impact test at low temperature

### DESIGN & CONSTRUCTION

- 1 CONDUCTOR**  
**Cu**  
Annealed copper conductor according to IEC 60228 cl. 2 (or cl. 5 on request) from 1.5 to 630 mm<sup>2</sup>, single core, three cores, multicore
- 2 FIRE BARRIER**  
**MGT**  
Mica/glass tape
- 3 INSULATION**  
**XLPE**  
Silicon rubber or HFFR are also available
- 4 BEDDING/INNER COVERING**  
**LSZH**
- 5 CHEMICAL BARRIER**  
**LS**  
Lead alloy E  
DRYLAM® (multilayer sheath) instead of Lead sheath available on demand
- 6 SEPARATION SHEATH**  
**LSZH**
- 7 ARMOURING**  
**SWA**  
Steel Wire Armour (Double Steel Tape - DSTA available on demand, aluminium for single core)
- 8 OUTER SHEATH**  
**LSZH**  
Hydrocarbon resistant option available on demand





Oil & Gas - Cable Solutions

Pipelines & LNG - Onshore

# Low Voltage & Control Cables

IEC 60502-1 / IEC 60331

## PERFORMANCES/RATINGS

FIRE BEHAVIOUR



IEC 60332-1-2  
IEC 60332-3-22 or 24  
IEC 60331-21 / 60331-1/2 plus EN 50200 annex E  
BS 6387 CWZ

CHEMICAL RESISTANCE



EXCELLENT

IMPACTS



GOOD

SMOKE DENSITY, CORROSIVITY AND TOXICITY



LOW EMISSION  
(only LSZH version)

MIN. INSTALLATION TEMPERATURE



-15 °C (LSZH)  
(-40°C for Arctic Grade)

MAX OPERATING TEMPERATURE



+90 °C

SHORT CIRCUIT TEMPERATURE



+250 °C

LEAD



Lead Free  
(only Drylam™ option)

## QUALITY & TESTING

Prysmian has a built-in multi-step quality assurance program, covering the production process from cable design and raw material purchases to final inspection and testing documentation.

The ISO 9001 quality system of Prysmian Group (together with ISO 14001 and OHSAS 18001) has been assessed, approved and is currently audited by SGS.

This product information sheet is provided for reference only.  
Please consult the factory or your representative to confirm all engineering information or refer to the related catalogues available in the local countries website.

CONTACT INFO:  
prysmianoilandgas@prysmiangroup.com  
www.prysmiangroup.com/contact-us

**Prysmian**  
Group